

**LBC
SERIES**

LBC.V25.1



TRIMECCANICA

PROGETTAZIONE - COSTRUZIONE - ASSISTENZA

LBC

SKID LOADING BUCKET

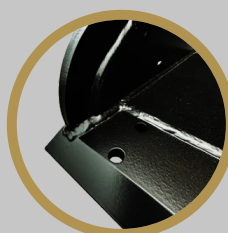


Made in Italy



FOR SKID STEER AND COMPACT TRACK LOADERS

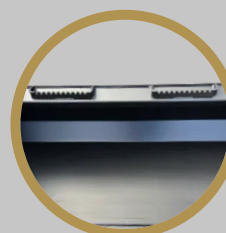
Standard front-loading bucket "LBC" designed for wheels and chains machines as SKID LOADERS and TRACK LOADERS. The ideal choice for handling lightweight materials, for different working conditions of excavation, loading and unloading, for levelling and flattening the ground. There are 8 different models available depending on the width from 36" to 80" and carriageway from 936mm to 2030mm.



Prearranged for
teeth and
additional blade

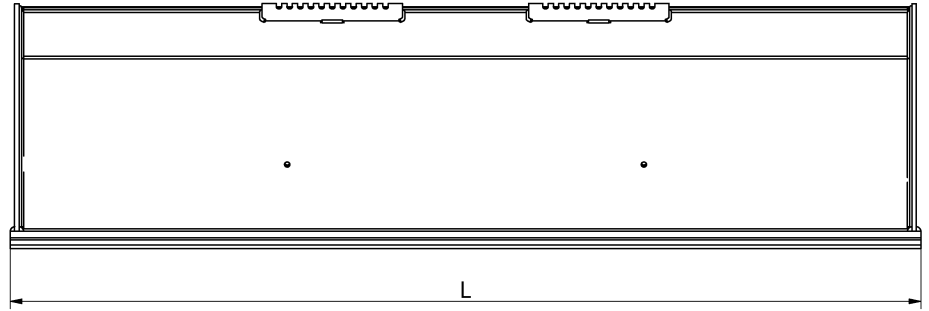
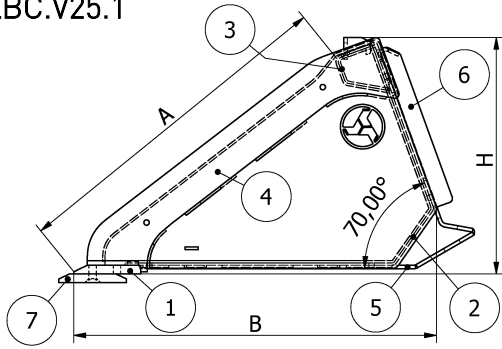


ID Serial Number



Non-slip
footplates

LBC.V25.1



Technical features

Article	L(")	Thickness (mm)						
		1 HB200	2 S355	3 S355	4 HB450	5 S355	6 S355	7 HB400
L53.LBC.036	36	150 X 20	5	5	8	8	8	152 X 19
L53.LBC.044	44	150 X 20	5	5	10	8	8	152 X 19
L53.LBC.050	50	150 X 20	5	5	10	8	8	152 X 19
L53.LBC.055	55	150 X 20	5	5	10	8	8	152 X 19
L53.LBC.062	62	150 X 20	5	5	10	8	8	152 X 19
L53.LBC.068	68	150 X 20	5	5	10	8	8	152 X 19
L53.LBC.074	74	150 X 20	5	5	10	8	8	152 X 19
L53.LBC.080	80	150 X 20	5	5	10	8	8	152 X 19

Equipment

Article	F (STD)	T	R (KIT)
L53.LBC.036	SI	5 x E20.10	LR.152020D36F5
L53.LBC.044	SI	5 x E20.10	LR.152020D44F5
L53.LBC.050	SI	6 x E20.10	LR.152020D50F6
L53.LBC.055	SI	6 x E20.10	LR.152020D55F6
L53.LBC.062	SI	7 x E20.10	LR.152020D62F7
L53.LBC.068	SI	7 x E20.10	LR.152020D68F7
L53.LBC.074	SI	8 x E20.10	LR.152020D74F8
L53.LBC.080	SI	8 x E20.10	LR.152020D80F8

Dimensions (mm)

Article	L(mm)	A(mm)	B(mm)	H(mm)	Peso(kg)	SAE(lt)
L53.LBC.036	936	760	816	530	140	239
L53.LBC.044	1140	760	816	530	160	294
L53.LBC.050	1290	760	816	530	192	335
L53.LBC.055	1420	760	816	530	205	369
L53.LBC.062	1600	760	816	530	218	417
L53.LBC.068	1750	760	816	530	230	458
L53.LBC.074	1900	760	816	530	244	500
L53.LBC.080	2050	760	816	530	258	541

Optional:

- T – Bolt-on fork tooth
- TR – Aux reversible cutter
- Teeth security signalling cover

• Different sizes available on request. Trimeccanica company reserves the right to change, modify or improve the characteristics above at any time and without any prior notice.